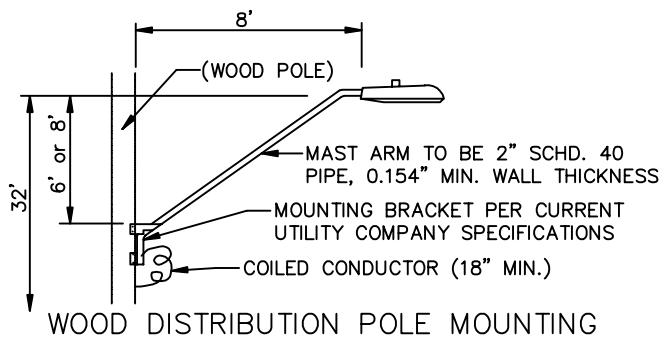
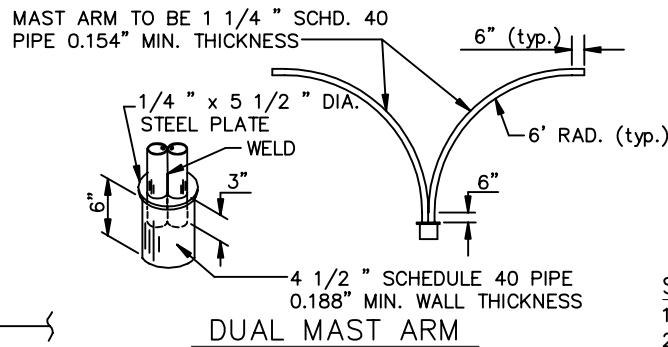
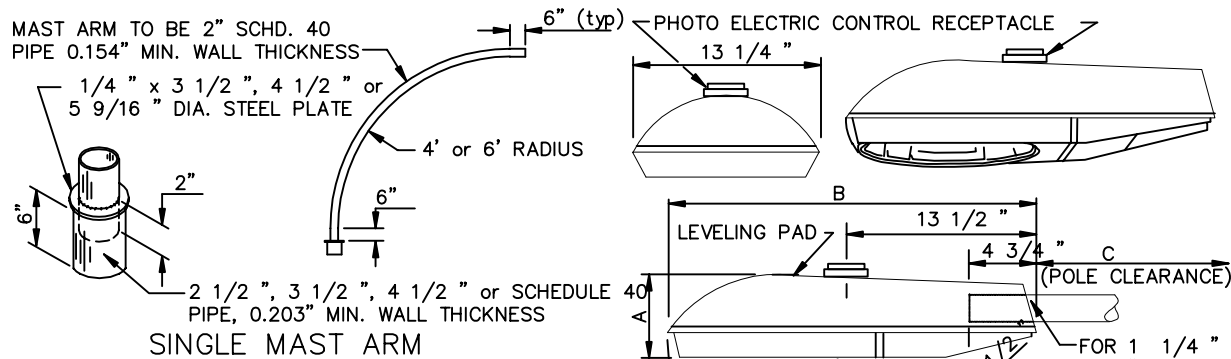


MNTG. HGT.	ARM	5 9/16" PIPE	4 1/2" PIPE	3 1/2" PIPE	POLE HEIGHT
28'	4'-6"	10'-0"	6'-9"	6'-9"	23'-6"
30'	4'-6"	10'-0"	7'-9"	7'-9"	25'-6"
32'	6'-6"	10'-0"	7'-9"	7'-9"	25'-6"

NOTE:
FOR PAINT SPECIFICATIONS SEE
STREET LIGHTING SPECIFICATION

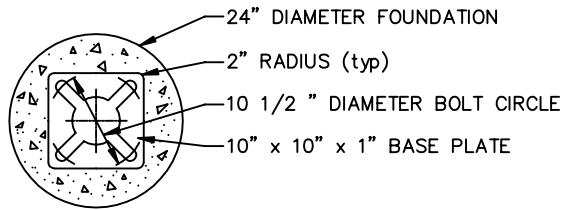


**ACCEPTED LUMINAIRE TYPES
(OR APPROVED EQUAL)**

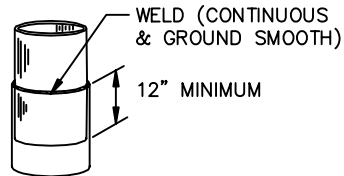
LUMINAIRE TYPE	A	B	C
M-250 A2 CUTOFF SERIES	6 1/2"	27 1/2"	12"
M-250 R2 CUTOFF SERIES	5 3/4"	26 1/4"	16"

SPECIFICATION FEATURES:

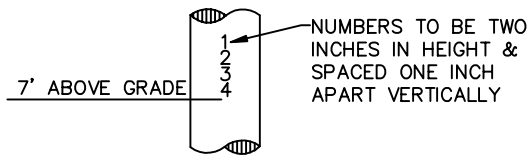
- 1) POWER/MODULE BALLAST ASSEMBLY FOR M-256 A2 ONLY.
- 2) 1 1/2" TO 2" FOUR-BOLT SLIPFITTER.
- 3) DIE-CAST ALUMINUM HOUSING WITH ELECTROCOAT GRAY PAINT FINISH.
- 4) ADJUSTABLE MOGUL BASE SOCKET.
- 5) ALGLAS FINISH ON REFLECTOR.
- 6) NO-TOOL PE RECEPTACLE.
- 7) PLUG-IN STARTING AID.
- 8) TRUE 90 DEGREE CUTOFF.
- 9) EXTERNAL STAINLESS STEEL BAIL LATCH.



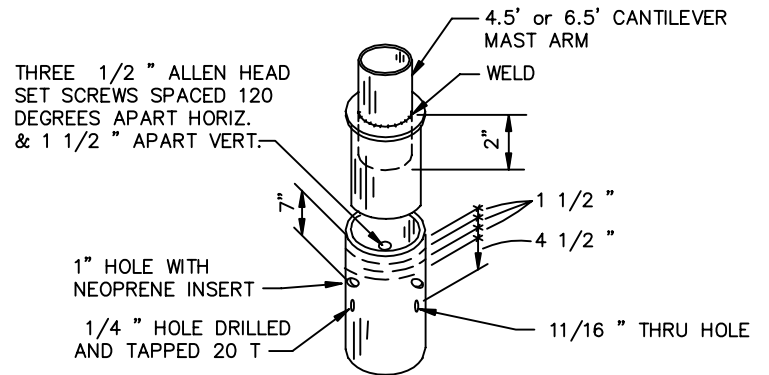
BASE PLATE SECTION



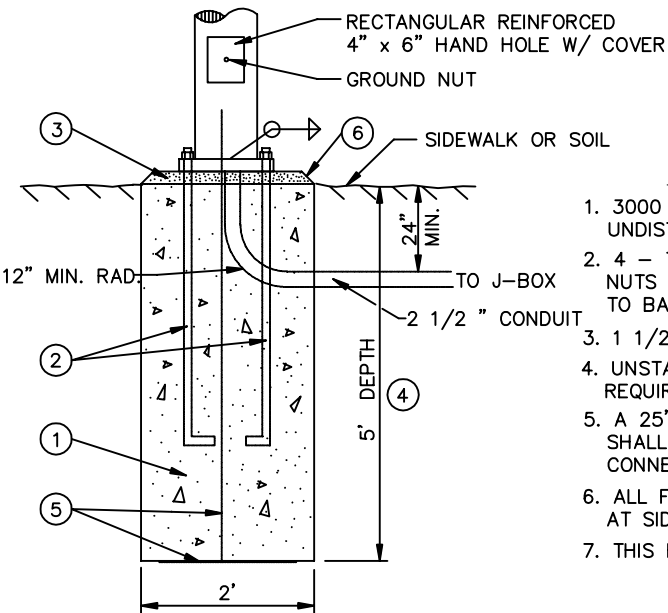
POLE JOINTS



POLE NUMBER LOCATIONS



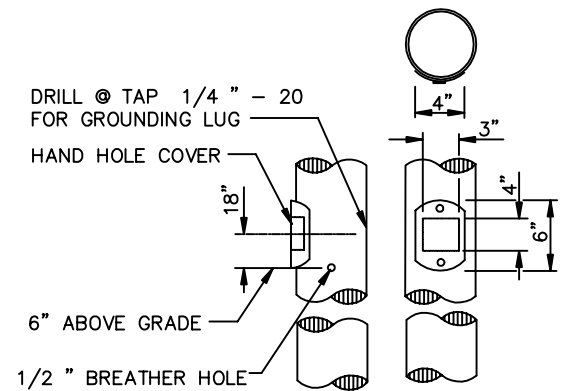
MAST ARM CONNECTION



FOUNDATION SECTION

FOUNDATION NOTES

1. 3000 P.S.I. CLASS A CONCRETE PLACED NEXT TO UNDISTURBED EARTH.
2. 4 - 7/8" x 36" GALVANIZED ANCHOR BOLTS WITH LEVELING NUTS & WASHERS. TACK WELD NUTS TO WASHERS AND WASHERS TO BASE PLATE AFTER TIGHTENING. (2 1/2" PROJECTION)
3. 1 1/2" THICK EMBECO GROUT #636 OR APPROVED EQUAL.
4. UNSTABLE SOILS, AND/OR POLE HEIGHTS OVER 40', SHALL REQUIRE SPECIAL ENGINEERING.
5. A 25' COIL OF NO. 4 STRANDED A.W.G. BARE COPPER CONDUCTOR SHALL BE INSTALLED BEFORE THE CONCRETE IS POURED. IT SHALL BE CONNECTED TO POLE GROUNDING SCREW IN THE BASE OF THE POLE.
6. ALL FINISHED POLE FOUNDATIONS SHALL BE CHAMFERED, AND AT SIDEWALK GRADE UNLESS OTHERWISE NOTED.
7. THIS FOUNDATION MAY ALSO BE USED FOR DUAL MAST ARM POLES.



PENETRATIONS