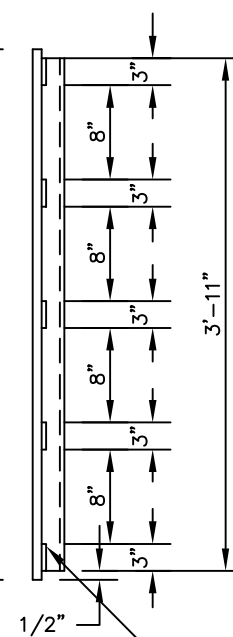
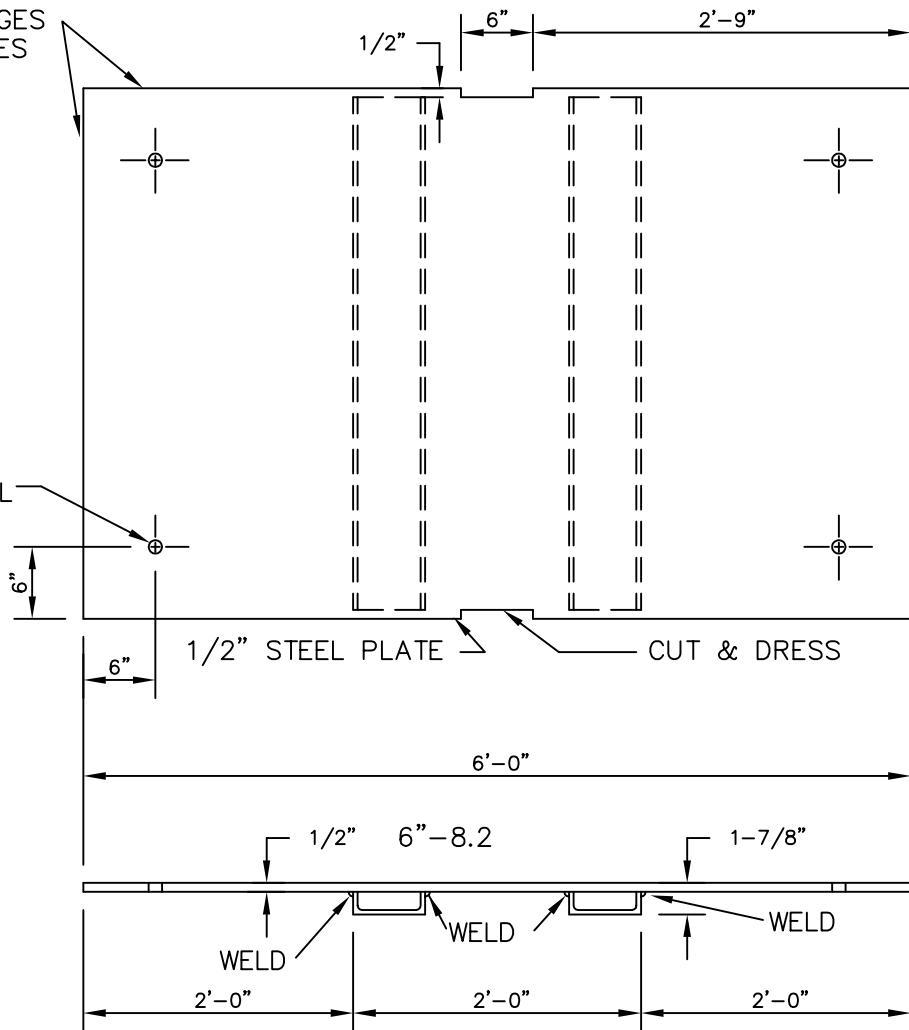


SMOOTH EDGES
ON ALL SIDES

4 HOLES—
3/4" DRILL



3/8" FILLET WELDS
APPROXIMATELY AS SHOWN,
BOTH SIDES OF CHANNELS.