

Heavy Duty Door Hinge, Weld To Channel. 3 Each

8'-0" BLOCK WALL

Finish Grade

Lockset As Approved By The City Of Goodyear Water Production Manager

Footing

8" x #18.7 Channel (Typ.) See Channel Anchor Detail

1" x 8" T & G Western Red Cedar Or T & G Redwood Siding With (6) 1/4"-20NC x 3" Carriage Bolts, Lock Washers & Nuts Each Board

1/2" Stop Bolt Thru Square Tubing (Front)

Gate Guide See Detail

8' Block Wall

1/2"  $\phi$  Stop Bolt Thru Sq. Tubing

Aligning Guide

9'-0"

4'-0"

Hasp Location (Typ.) Facing Out

8' H x 9' W Siding Gate Make 2, 1 Opposite Hand

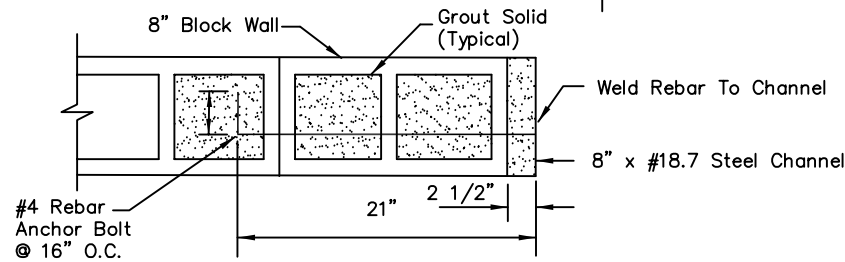
4" Special Duty Caster (V-Groove Metal Wheel) At Each End Of Gate

Welded 2" Square Tubing

$\phi$  16' Opening

Concrete Track Apron

Footing



8" Block Wall

Grout Solid (Typical)

Weld Rebar To Channel

8" x #18.7 Steel Channel

#4 Rebar Anchor Bolt @ 16" O.C.

21"

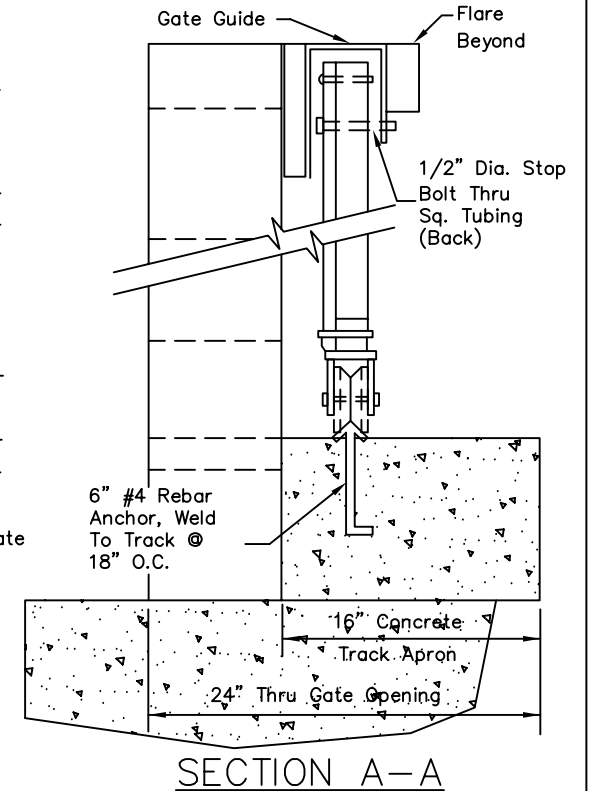
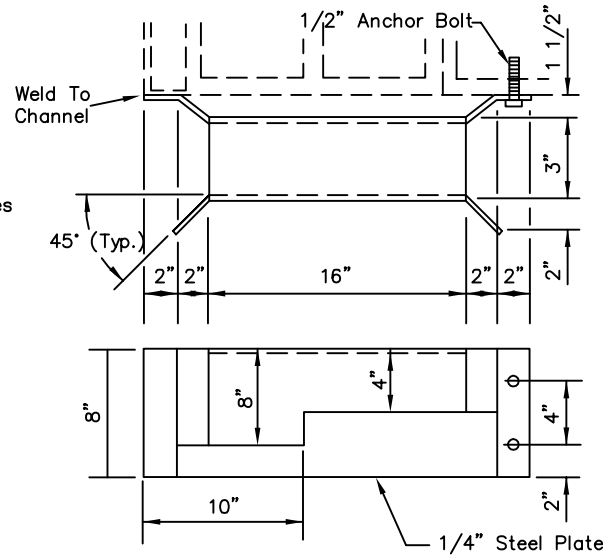
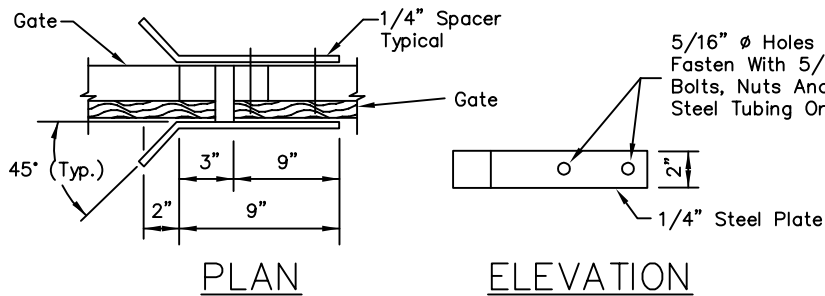
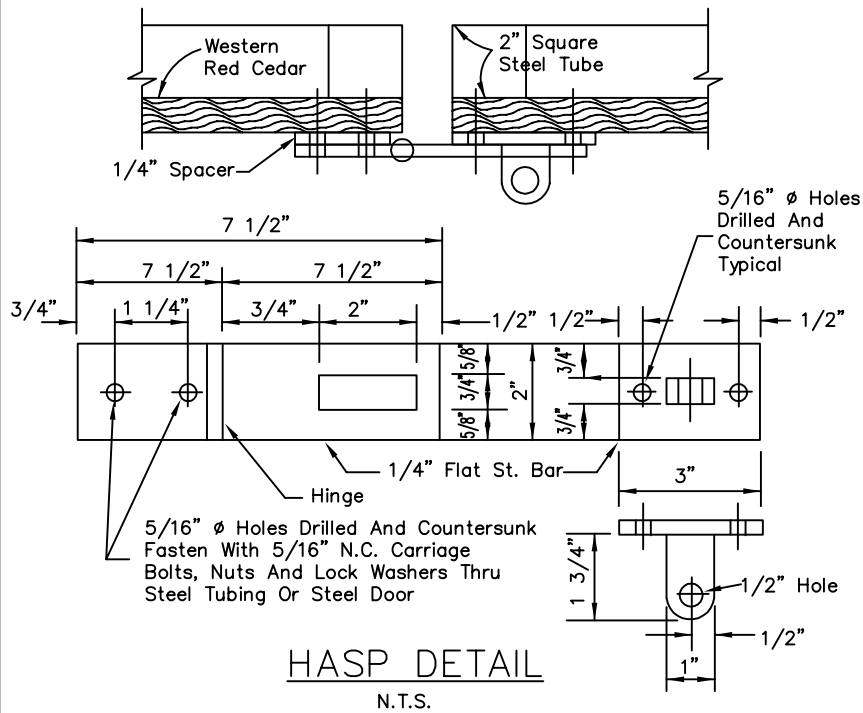
2 1/2"

1 1/2"  $\Delta$  Track, 18' Long Each Side Of Opening  $\phi$  And 4" From Wall Face, Imbed In Concrete

HINGED DOOR

ELEVATION

CHANNEL ANCHOR DETAIL



**NOTES:**

1. Contractor shall prime and paint all metal surfaces and shall seal all wood surfaces. Before application, the color and manufacturer of the paint and sealer shall be approved by the City.
2. Prior to painting, all surfaces shall be cleaned free of concrete, mortar, rust, dirt, and any other objectional materials.
3. Apply one (1) primer coat and two (2) exterior alkyd gloss enamel coats to metal.