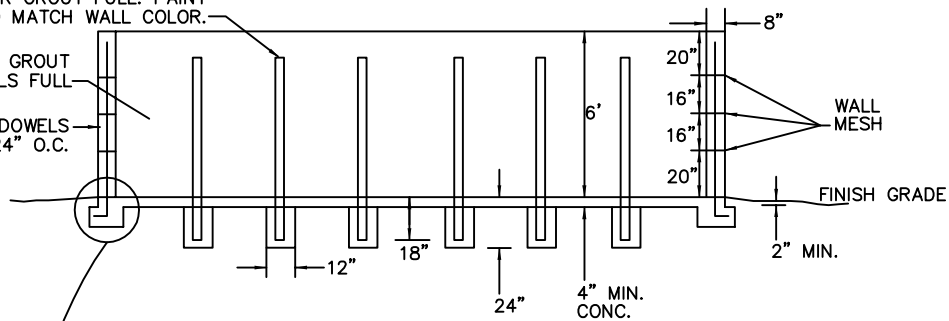


PLACE 6.33' DIA. STEEL
POLES 60" ABOVE GRADE
CAP OR GROUT FULL. PAINT
TO MATCH WALL COLOR.

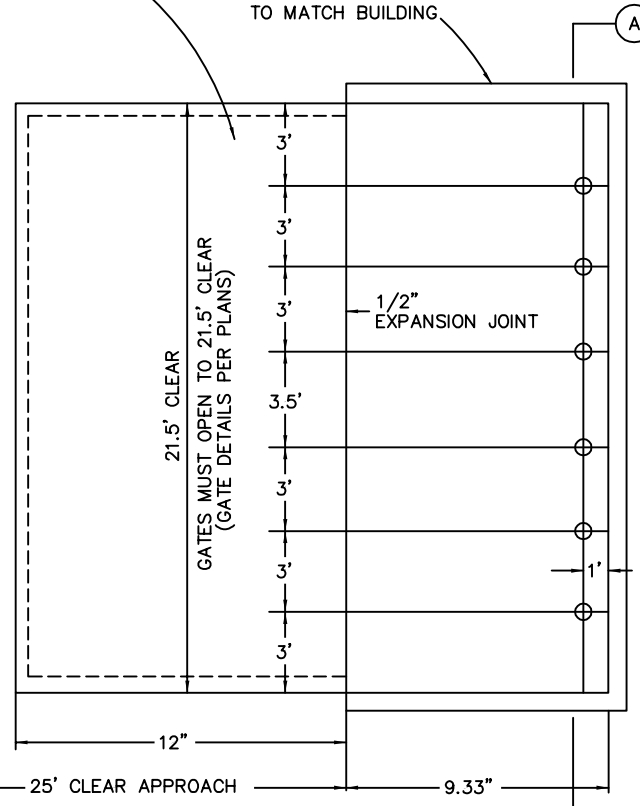
GROUT
CELLS FULL
#4 DOWELS
@ 24" O.C.



SECTION A-A

12' x 21.5' x 6"
THICK CONCRETE APPROACH
SLAB WITH THICKENED
EDGES, CLASS "B" CONC.
W/ 6" x 6", 1.4 x 1.4
WWF. ON COMPACTED
SUBGRADE. APPROACH SLAB
SHALL HAVE A CONSTANT
SLOPE WHICH MATCHES
THE ENCLOSURES SLAB.

8" CMU OR BLOCK OR STUCCO
TO MATCH BUILDING



PLAN VIEW

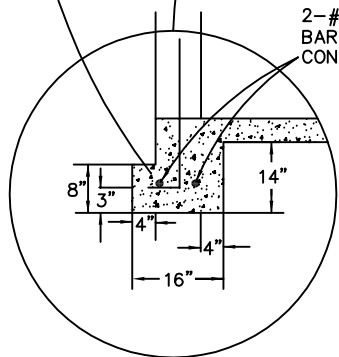
CLASS "B"
CONCRETE

2-#4
BARS
CONT.

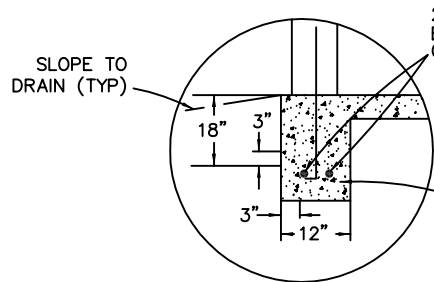
SLOPE TO
DRAIN (TYP)

2-#4
BARS
CONT.

CLASS "B"
CONCRETE



FOOTING



ALTERNATE
FOOTING



APPROACH SLAB
THICKENED EDGE DETAIL

NOTES:

1. 1/2" EXPANSION JOINT, ASTM D-1751 PER MAG SECTION 729.

