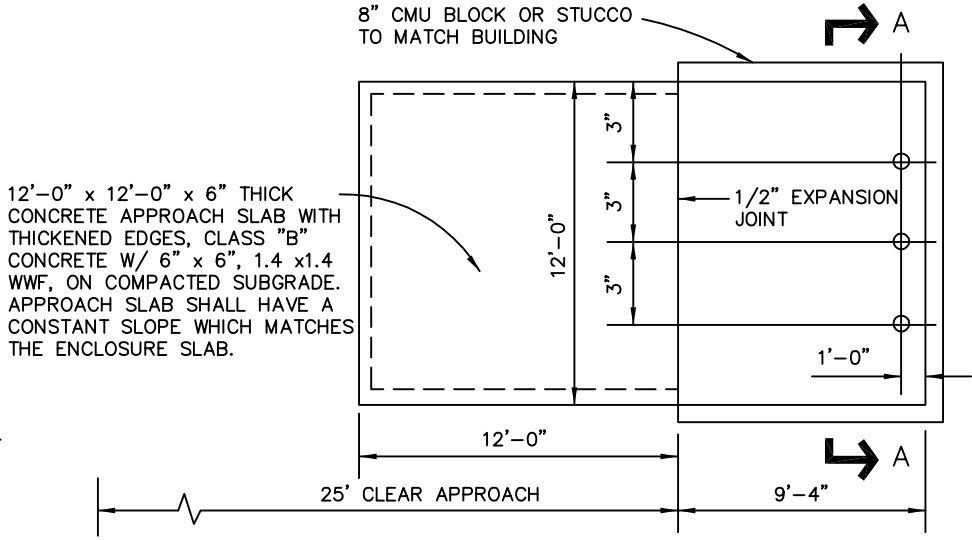
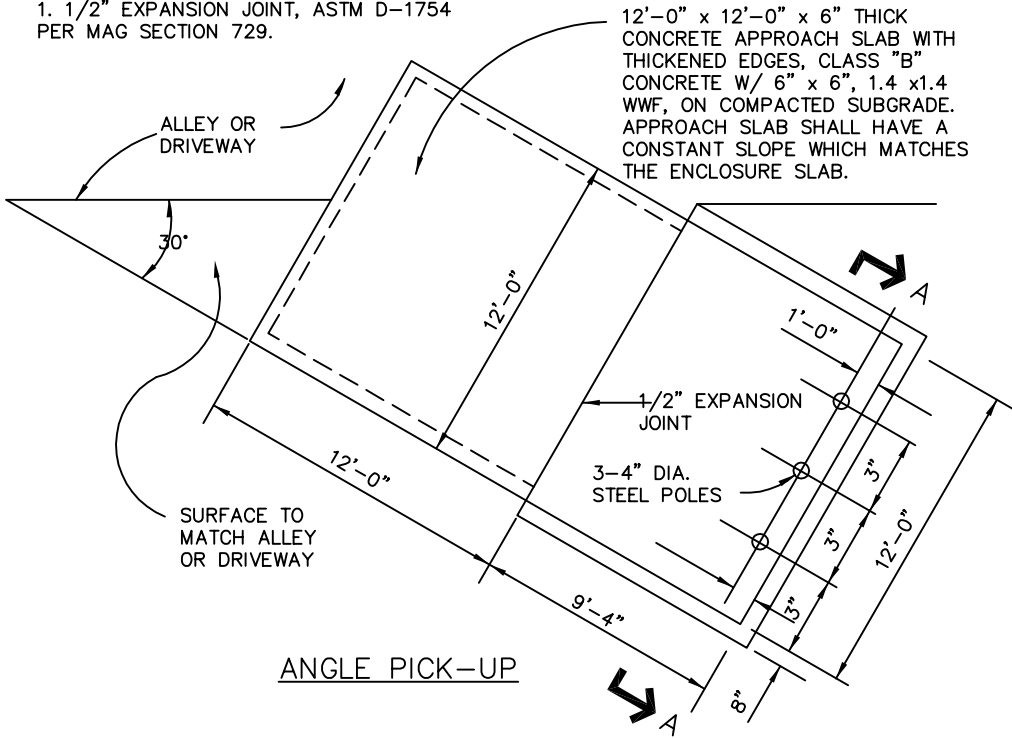
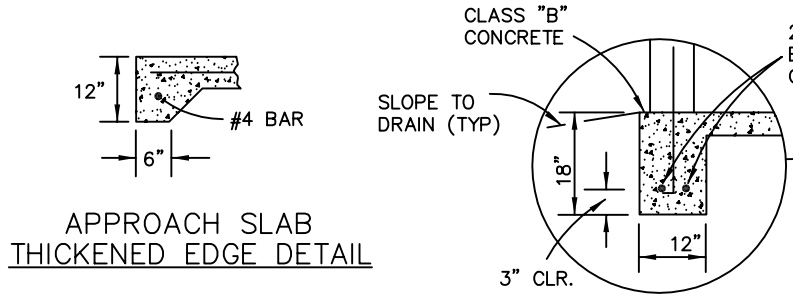
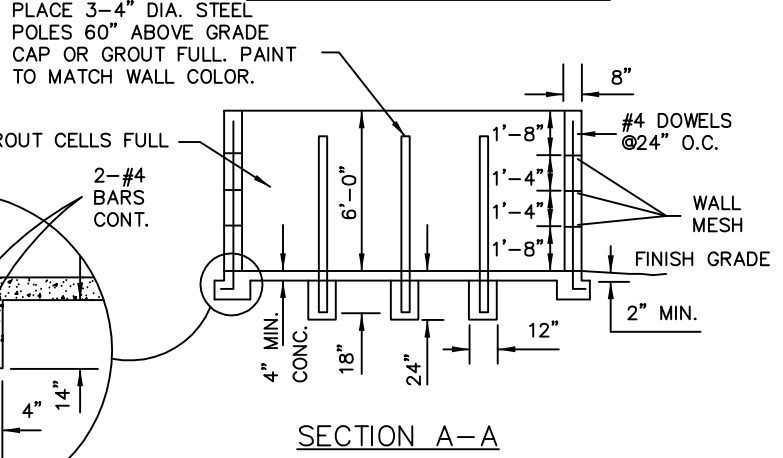


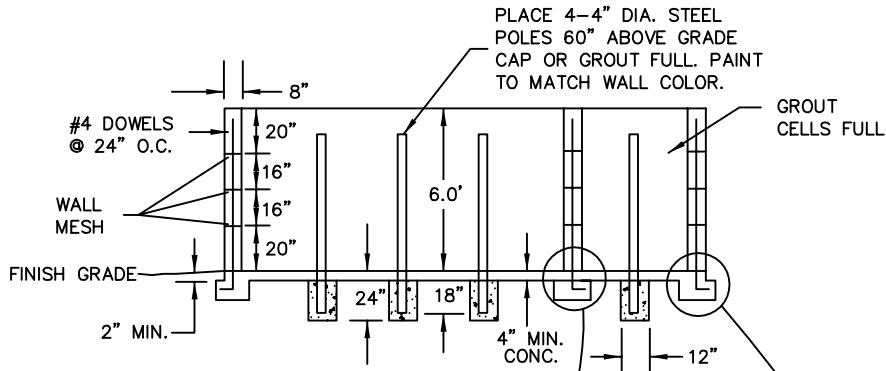
NOTE:
1. 1/2" EXPANSION JOINT, ASTM D-1754
PER MAG SECTION 729.



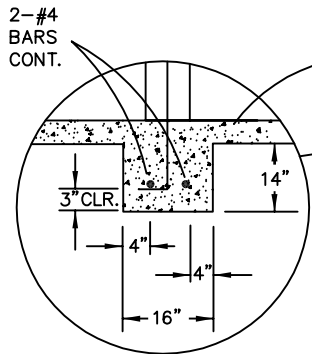
THICKENED EDGE DETAIL



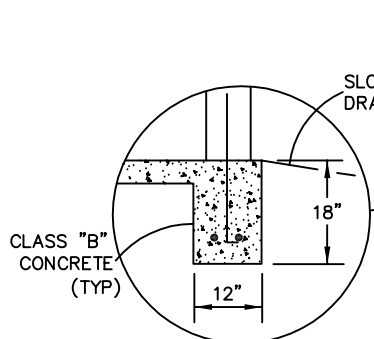
APPROACH SLAB THICKENED EDGE DETAIL



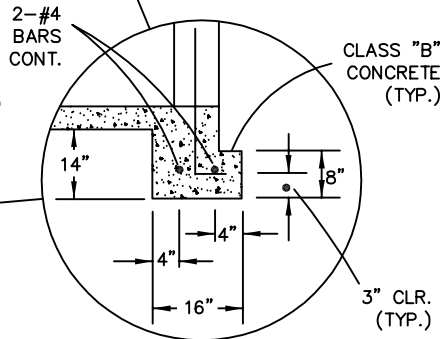
SECTION A-A



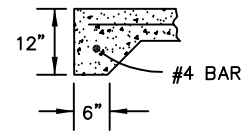
INNER FOOTING



ALTERNATE FOOTING

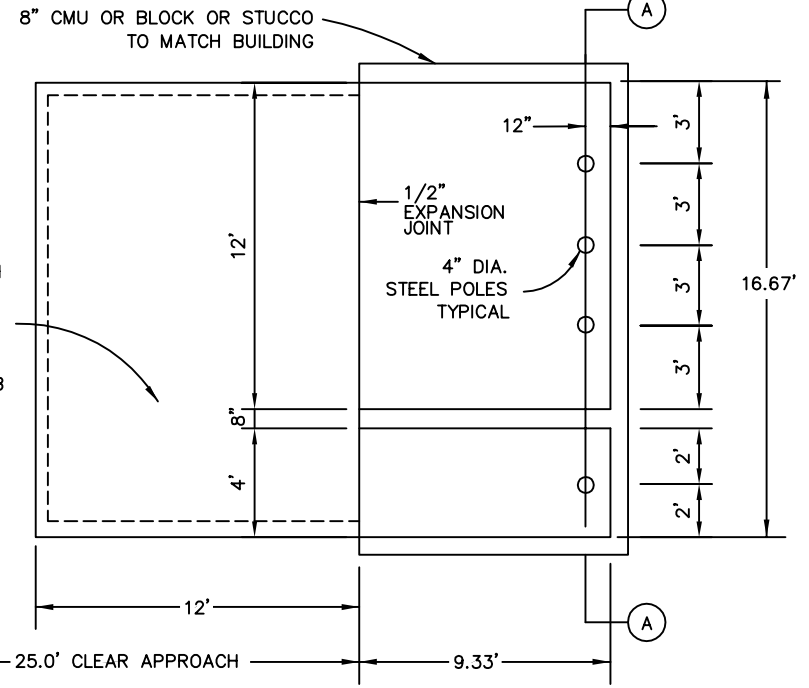


OUTER FOOTING



APPROACH SLAB THICKENED EDGE DETAIL

12.0' x 21.5' x 6" THICK CONCRETE APPROACH SLAB WITH THICKENED EDGES, CLASS "B" CONC. W/ 6" x 6", 1.4 x 1.4 WWF, ON COMPACTED SUBGRADE. APPROACH SLAB SHALL HAVE A CONSTANT SLOPE WHICH MATCHES THE ENCLOSURES SLAB.



PLAN

NOTES

1. DOUBLE ENCLOSURE FOR ANGLE PICK-UP
2. 1/2" EXPANSION JOINT, ASTM D-1751 PER MAG SECTION 729.