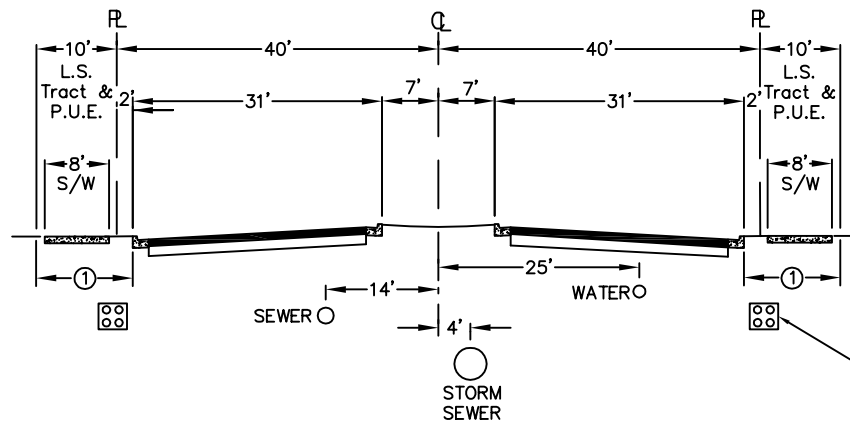
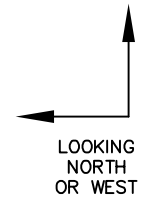


MINOR COLLECTOR ROAD WITH BIKE LANE



MAJOR COLLECTOR ROAD WITH BIKE LANE

NOTES:

1. TELECOMMUNICATIONS AND FIBER-OPTIC FACILITIES SHALL BE INSTALLED IN THE AREA OF THE RIGHT-OF-WAY BACK OF CURB OR IN THE P.U.E. EXCEPT WHERE REQUIRED TO CROSS PUBLIC STREET RIGHT-OF-WAY.
2. PAVEMENT CUTS OF PUBLIC STREETS ARE NOT PERMITTED. FACILITIES SHALL BE BORED UNDER PAVEMENT AND CURB.
3. ALTERNATIVE FACILITY LOCATIONS AND REQUESTS TO CUT STREET PAVEMENT REQUIRE THE APPROVAL OF THE PUBLIC WORKS DIRECTOR AND THE CITY ENGINEER. SUPPORTING JUSTIFICATION IS REQUIRED FOR ALL REQUESTS.