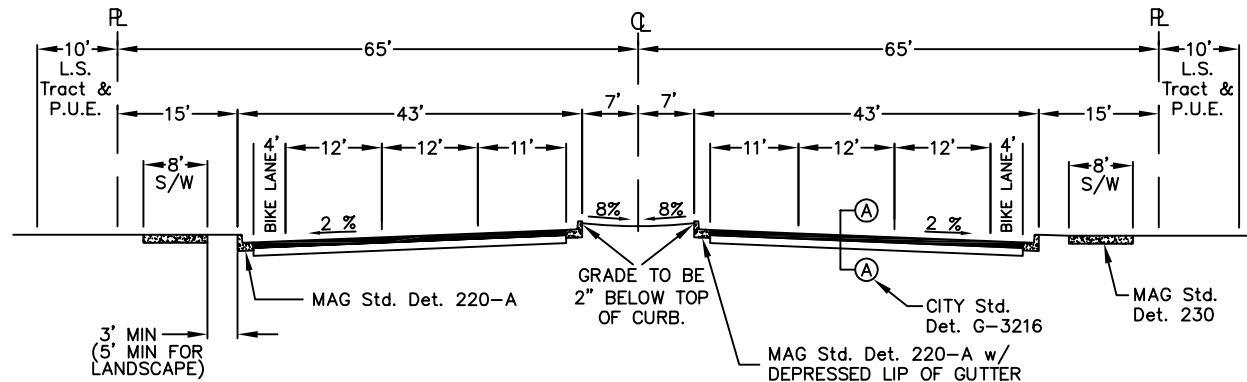


MINOR ARTERIAL STREET



MAJOR ARTERIAL STREET